

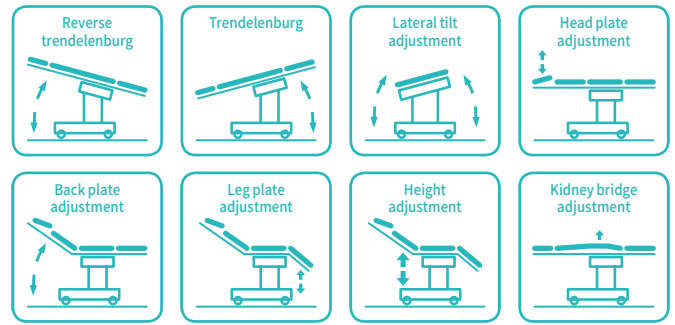
NWF3001

OPERATING TABLE



NWF3001

FEATURES AND HIGHLIGHTS

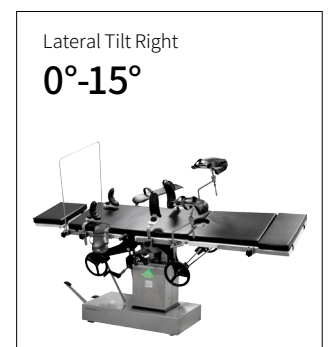
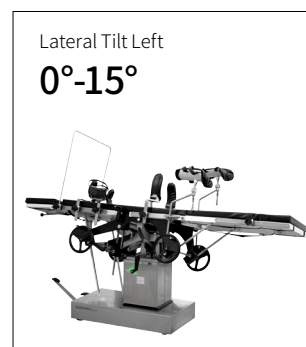
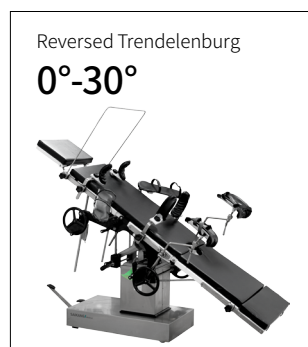
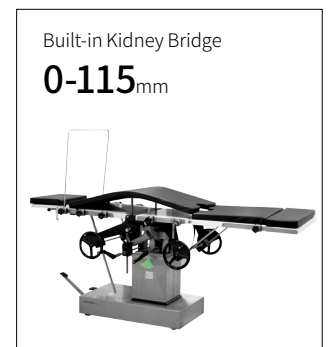
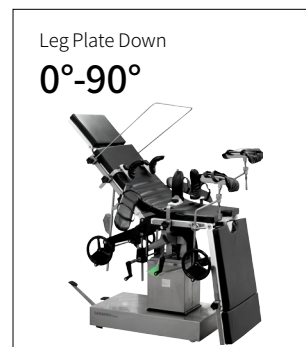
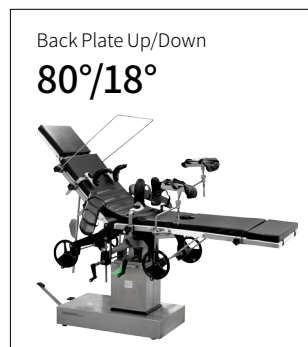


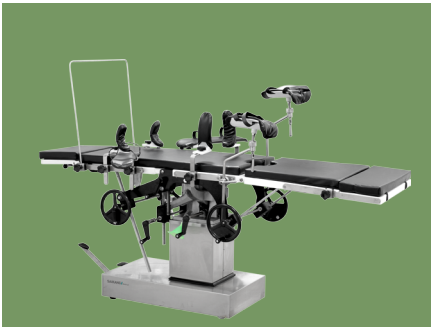
Technical parameters

▪ External Size (LxWxH)	2000x480x790-1040 mm
▪ Built-in Kidney Bridge	0-115 mm
▪ Back Plate Up/Down	80°/18°
▪ Head Plate Up/Down	45°/90°
▪ Trendelenburg/Reverse Trendelenburg	20°/30°
▪ Lateral Tilt Left/Right	15°/15°
▪ Leg Plate Down	90°
▪ Patient Weight Capacity	200 kg

Technical configuration

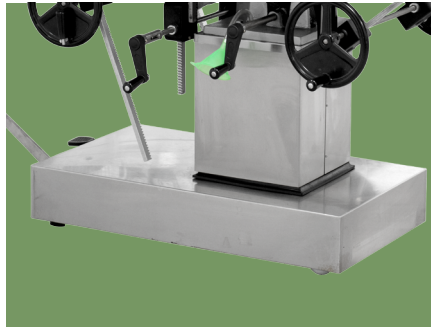
<input checked="" type="checkbox"/> Anesthesia Screen Frame	1pc
<input checked="" type="checkbox"/> Mattress	1set
<input checked="" type="checkbox"/> Kidney Bridge Handle	1pc
<input checked="" type="checkbox"/> Arm Support with Cushion	2pcs
<input checked="" type="checkbox"/> Leg Support with Cushion	2pcs





Application

Various actions are controlled by hydraulic pneumatic system and mechanical driven system, all the adjustments of the table are performed on both sides of the table.



Material

The tabletop and outer cover can use carbon steel with plastic spraying or high quality stainless steel, based on your needs.



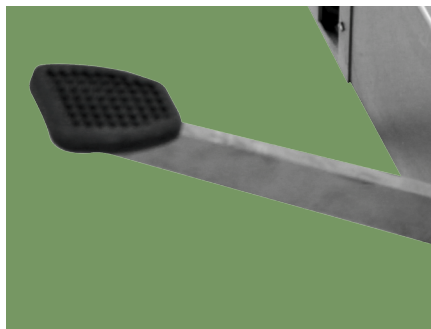
Control System

Foot treadle brake device which is easily for moving operating table.



Built-In Kidney Bridge

Built-In kidney bridge, more convenient and nice appearance.



Hydraulic

Foot step hydraulic elevating, Imported Y type sealing ring and is durable.



Mattress

The mattress is wrapped with imported artificial leather. High-density memory sponge is formed in one piece, with no seam.



Shoulder Support with Cushion



Anesthesia Screen Frame



Arm Support with Cushion



Body Support with Cushion



Leg Support with Cushion



NUMBER WIN

MEDICAL TECHNOLOGY

As the circumstance of printing, the photos might have minor difference on color, tactile from real products.
As the update of design and improvement, parameters and outlook of products might change, thanks for understanding.



7x24

Online 24 Hours for Sales Service
Timely Response for Clients' Problems

+86 18021231901

Suzhou Number Win Medical Technology Co.,Ltd.

No. 35, Lehong Road · Zhangjiagang (Jiangsu) · China

export@number-win.com

www.number-win.com



Company video



General catalogue