

NW303

MANUAL BED



NW303

FEATURES AND HIGHLIGHTS



Technical parameters

▪ External size (LxW)	2080x960±20mm
▪ Back-rest adjustment	0-70° (±5°)
▪ Knee-rest adjustment	0-35° (±5°)
▪ Safe working load	200 kg
▪ Height adjustment	500-750mm±20mm

Technical configuration

<input checked="" type="checkbox"/> Manual crank	3pcs
<input checked="" type="checkbox"/> 5" covered castors	4pcs
<input checked="" type="checkbox"/> ABS bed ends with safe lock	1set
<input checked="" type="checkbox"/> Foldable side rail	1set
<input checked="" type="checkbox"/> IV Pole 4 Hooks	1set
<input checked="" type="checkbox"/> IV Pole Prevision	4pcs

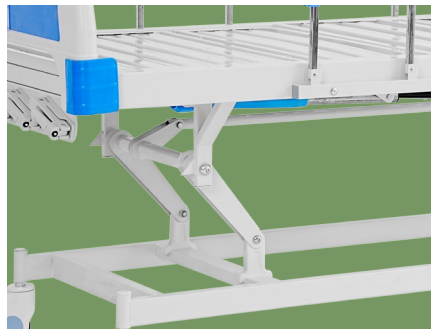
Optional

<input type="checkbox"/> Mattress platform	1960x900x500±20mm
--	-------------------



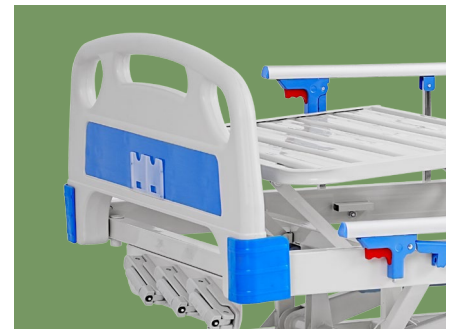
Design

Modern design.
Easy to be cleaned and installed.



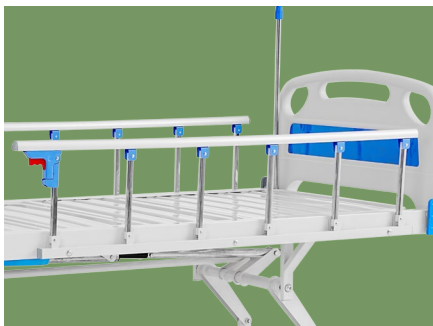
Steels | Painting

Baosteel from Fortune Global 500.
11 Process epoxy painting, ASTM testing anti-bacterial, paint thickness 0.12 mm, brightness 60°, paint can resist 50kg impact.



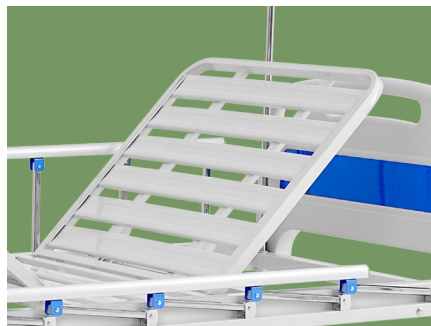
Head & Foot Board

Modern design.
Easy to be cleaned and installed.



Siderail

Aluminum alloy side rail, 5-staff, collapsed type with safe lock.



Platform

Bar-type platform, smooth surface no welding scar, bearing 200KG load.



Castors

5" covered casters.
TPR tire no worn out after running 30KM, save anti-winding hard shell, united forming without bolts.
Pass Dynamic test: Bearing 120kg run 30KM and pass obstacles 500 time.

Product video (scan / press QR code)





NUMBER WIN

MEDICAL TECHNOLOGY



7x24

Online 24 Hours for Sales Service
Timely Response for Clients' Problems

+86 18021231901

Suzhou Number Win Medical Technology Co.,Ltd.

No. 35, Lehong Road · Zhangjiagang (Jiangsu) · China

export@number-win.com

www.number-win.com

As the circumstance of printing, the photos might have minor difference on color, tactile from real products.
As the update of design and improvement, parameters and outlook of products might change, thanks for understanding.



Company video



General catalogue